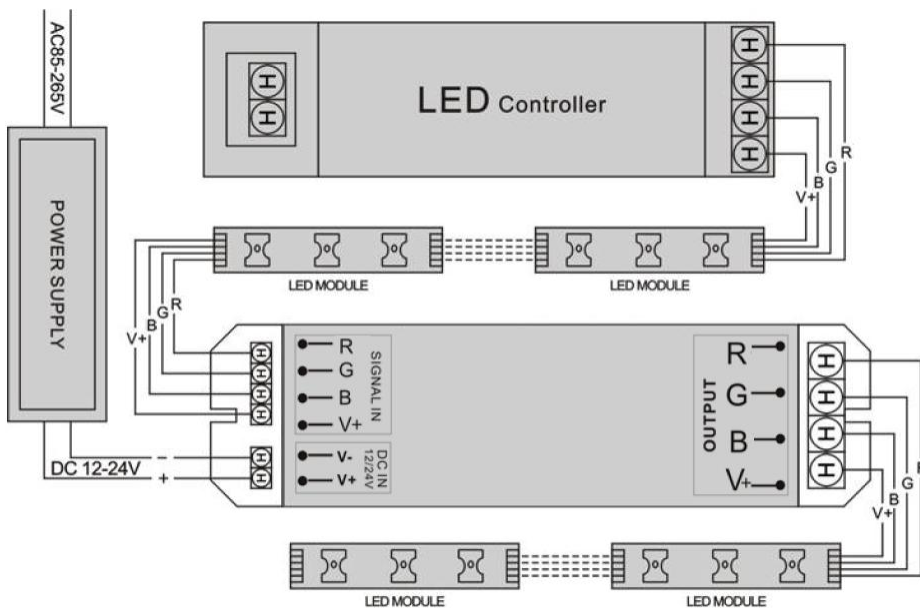

Features:

- Applied to power repeat of synchronous changing signal;
- 3 channel RGB control , the max current of each channel up to 6 A;
- Accepts PWM control;
- Be used to kinds of LED modules;
- Theoretically we can connect limitless LED modules by connecting the repeaters in series.

Product Specification:

Input Power	DC 12-24V
Input/output channel	3
Output power	12V,216W/24V,432W
Size	168(L)X51(W)X22(H) mm
Weight	80g

Wire Connections:



Remark:

- ①Can connect various single color modules and RGB modules with the common anode.
 - ②Can connect 200 pieces of RGB modules or 600 pieces of single color modules, or a number of high power LED lamps (according to the connection method).
-